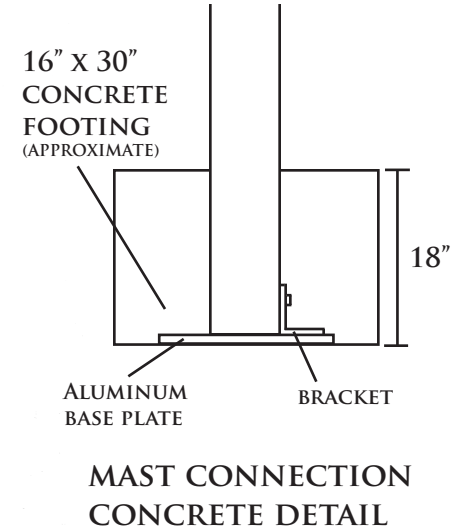
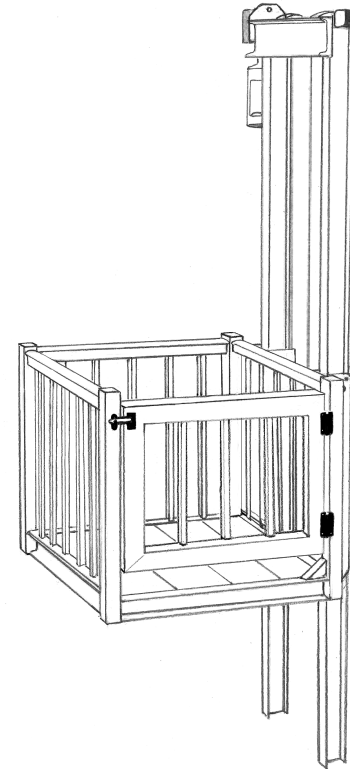
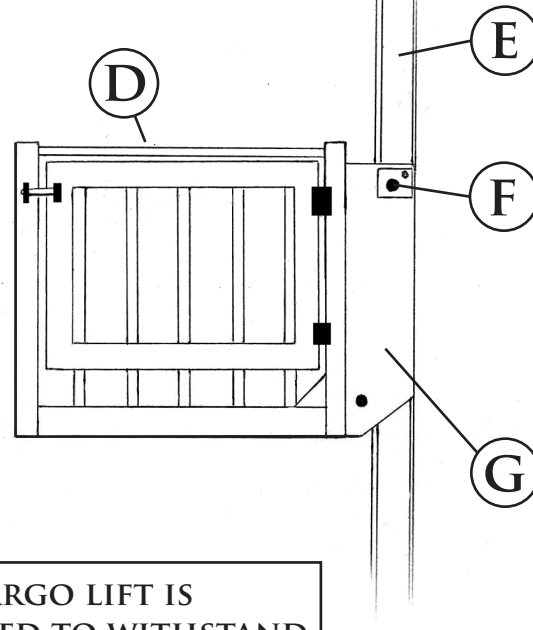
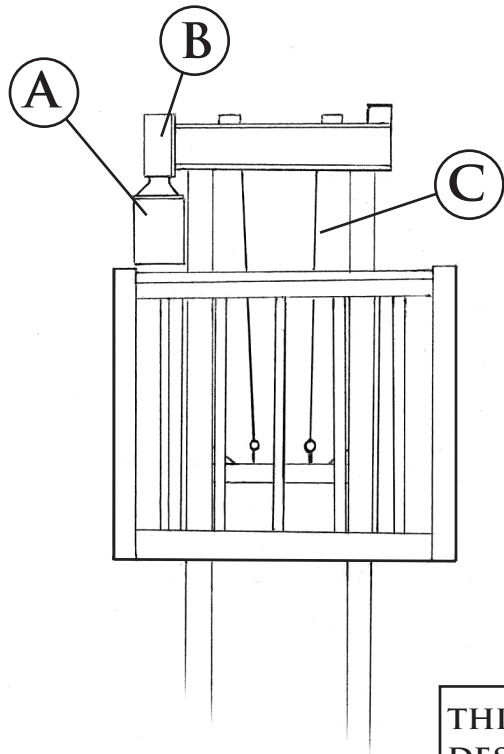
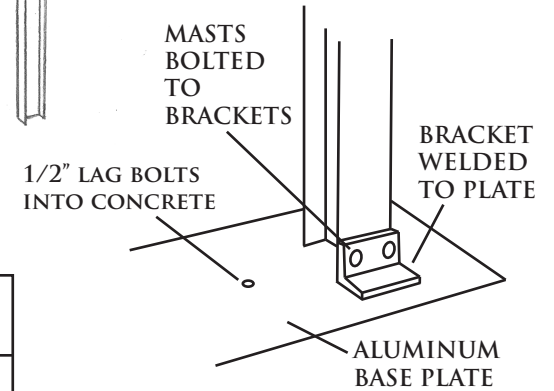


LEGACY LIFTS_{LLC} DUAL MAST 1000 LB. CARGO LIFT



THIS CARGO LIFT IS
DESIGNED TO WITHSTAND
150 MPH WIND FORCES



	A	B	C	D	E	F	G
CAPACITY	MOTOR	GEAR DRIVE	CABLES	CAGE WELDMENT	MAST	CAGE ROLLERS	GUIDE PLATES
1000#	1 HP	90:1 RATIO	DUAL 1/4" DIA. SS	6061 AL EXTRUSION WELDMENT	1/4"X3"X4" ALUMINUM I - BEAM	3" DELRIN ROLLERS	1/4"X8"X44" ALUMINUM 4 PER UNIT

* ALL BOLTS ARE 1/2" SS WITH WASHERS AND NUTS * FOR CARGO USE ONLY. NOT FOR HUMAN TRANSPORT